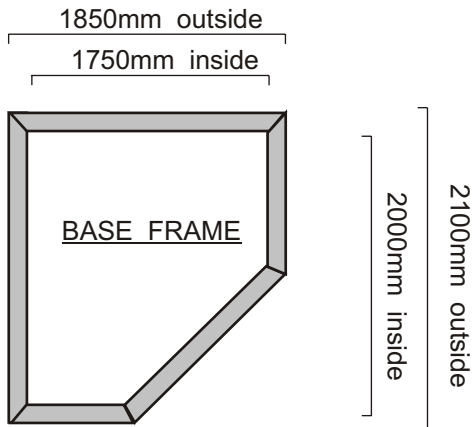
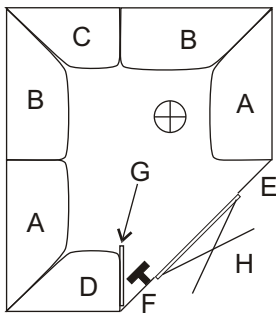


ROMA/C9/ STEAM ROOM
1850mm X 2100mm Corner Entry
770mm or 940mm Left or Right Hinged Door



WALL ELEMENT LAYOUT



- A = Corner Seat Left Flange 995 x 1900mm
- B = Corner Seat Right Flange 995 x 1900mm
- C = Corner Seat Left Flange 750 x 1900mm
- D = Corner Seat Right Flange 750 x 1900mm
- G = SWALL Steam Baffle

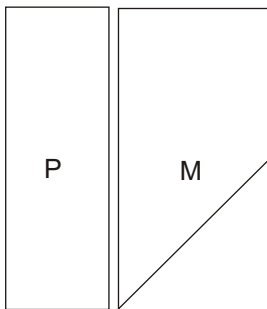
⊕ = Vent

⚡ = Steam Outlet

770mm Door E = Corner Wall 67.5 Left Flange 318 x 1900mm
 F = Corner Wall 67.5 Right Flange 318 x 1900mm
 H = Door 770 x 1900mm Left or Right Hinged

940mm Door E = Corner Wall 67.5 Left Flange 232 x 1900mm
 F = Corner Wall 67.5 Right Flange 232 x 1900mm
 H = Door 940 x 1900mm Left or Right Hinged

CEILING ELEMENT LAYOUT



- M = Roof Corner Panel 1100 x 2100mm
- P = Roof End Panel 750 x 2100mm

